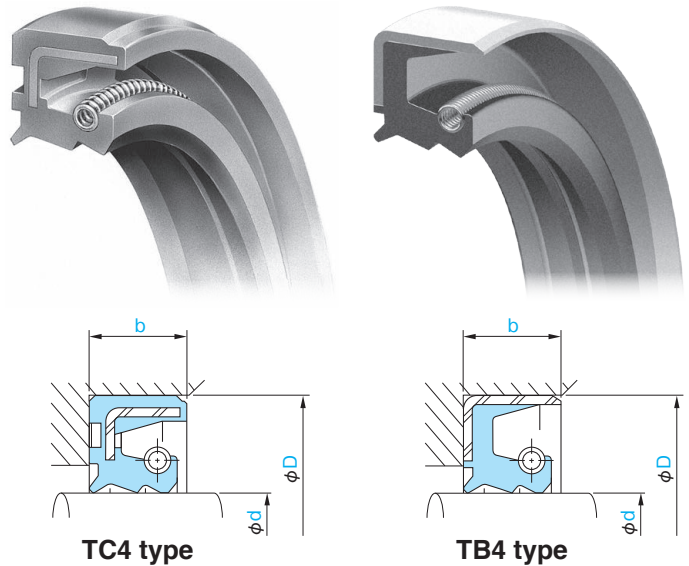


TC4 Type

TB4 Type



- The sectional view on the right shows the typical profile of the seal type.
- Please refer to page 25 for the respective advantages and disadvantages of Types B and C.
- Check the guide to allowable operating conditions on pages 10 and 11 for relevant information on the seal selected before use.
- If there is an “※” at the end of the part number, as this indicates that an SUS spring specification is available, we ask that you refer to the introduction on SUS spring specifications on page 150.

■When ordering, please indicate the NOK part number and the relevant dimensions.
Order Example NOK Part Number: AR 0145 F2
 Type: TC4, Shaft diameter: 8, Outside diameter: 18, Width: 7

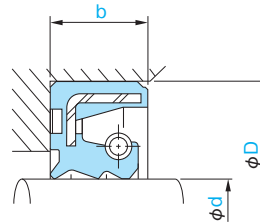
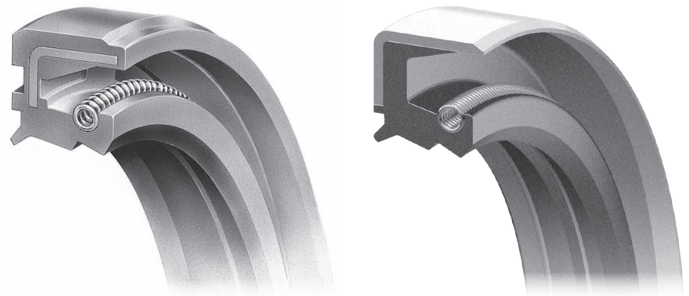
14

TC4, TB4 type

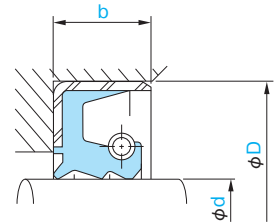
Dimensions			Part Number	
Shaft diameter	Outside diameter	Width	Nitrile (NBR) A795	
d	D	b	TC4 type	TB4 type
8	18	7	AR 0145 F2	—
10	20	7	AR 0260 F2	—
12	25	7	AR 0382 E1	—
14	24	7	AR 0515 G0	—
15	30	10	—	AR 0600 E1
16	30	7	—	AR 0687 E5
16	32	10	AR 0693 E1	—
17	38	7	—	AR 0768 E1
18	35	11	AR 0832 E2	—
20	35	7	AR 1012 F3 ※	AR 1012 E2
20	40	10	—	AR 1032 E1
22	38	8	—	AR 1133 E2
22	40	10	AR 1140 E1 ※	—
25	38	7	AR 1306 F0	—
25	40	8	—	AR 1314 E2
25	45	10	—	AR 1337 E8
28	45	8	AR 1550 F1	AR 1550 E1
28	48	11	—	AR 1563 E1
30	50	11	AR 1709 F1	AR 1709 E0
32	52	11	—	AR 1904 E1
35	52	12	—	AR 2072 E2
35	55	11	—	AR 2085 E2
36	52	11	—	AR 2165 E1
38	55	8	AR 2230 E1	—
38	60	12	—	AR 2246 E1
40	55	9	—	AR 2361 E1
40	62	12	AR 2390 H1	AR 2390 E0
45	68	12	AR 2668 F1	AR 2668 E0
48	70	12	AR 2791 E1	AR 2791 F0
50	68	9	AR 2847 E1	—
50	72	12	—	AR 2864 E3
52	75	12	—	AR 2967 E0
55	72	9	—	AR 3040 E3
55	78	12	—	AR 3055 E2
55	80	14	—	AR 3063 E0
60	78	9	—	AR 3204 E1
60	82	12	—	AR 3222 E1
60	82	14	—	AR 3224 E0
65	88	12	—	AR 3400 E0
65	90	14	—	AR 3410 E0

TC4 Type

TB4 Type



TC4 type



TB4 type

- The sectional view on the right shows the typical profile of the seal type.
- Please refer to page 25 for the respective advantages and disadvantages of Types B and C.
- Check the guide to allowable operating conditions on pages 10 and 11 for relevant information on the seal selected before use.
- If there is an “*” at the end of the part number, as this indicates that an SUS spring specification is available, we ask that you refer to the introduction on SUS spring specifications on page 150.

■When ordering, please indicate the NOK part number and the relevant dimensions.
Order Example NOK Part Number: AR 3463 F1
 Type: TB4, Shaft diameter: 68, Outside diameter: 95, Width: 13

Dimensions			Part Number	
Shaft diameter	Outside diameter	Width	Nitrile (NBR) A795	
d	D	b	TC4 type	TB4 type
68	95	13	—	AR 3463 F1
70	88	12	—	AR 3505 E1
70	95	14	—	AR 3528 E1
75	95	10	—	AR 3609 E0
75	100	14	—	AR 3619 F1
78	100	13	—	AR 3694 E1
80	100	14	—	AR 3735 E0
80	105	14	—	AR 3745 E1
80	110	13	—	AR 3756 E0
85	110	14	—	AR 3843 E0
90	115	14	—	AR 3933 E0
95	120	13	—	AR 3994 E1
100	125	14	—	AR 4064 E0
105	135	14	—	AR 4153 E1
110	135	14	—	AR 4207 E2
110	140	14	—	AR 4212 E2
120	145	14	—	AR 4336 E1
120	150	14	AR 4346 G1	AR 4346 F1
125	150	14	—	AR 4396 E1
125	155	14	AR 4399 E1	—
130	155	14	—	AR 4445 E0
140	165	14	—	AR 4538 E2
145	175	14	—	AR 4581 E1
150	180	14	AR 4624 F1	AR 4624 G1
160	185	14	—	AR 4708 E0
160	190	14	AR 4711 E1	—
190	215	14	—	AR 4971 E1
220	245	14	—	AR 5201 E0
230	270	20	—	AR 5290 E1
250	290	20	—	AR 5407 E1