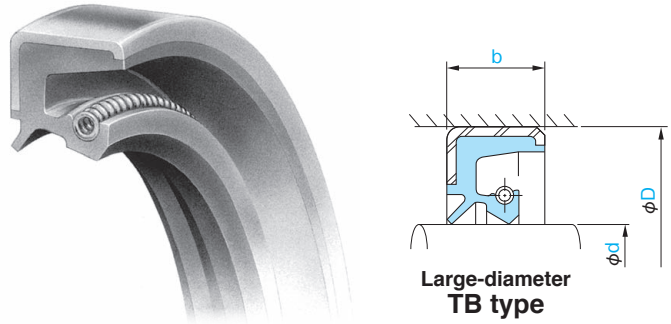


# Large-diameter TB Type



- The sectional view on the right shows the typical profile of the seal type.
- Please refer to page 25 for the respective advantages and disadvantages of Types B and C.
- Check the guide to allowable operating conditions on pages 14 and 15 for relevant information on the seal selected before use.
- If there is an “※” at the end of the part number, as this indicates that an SUS spring specification is available, we ask that you refer to the introduction on SUS spring specifications on page 154.

■ When ordering, please indicate the NOK part number and the relevant dimensions.  
**Order Example** NOK Part Number: AD 5676 A0  
 Type: Large-diameter TB, Shaft diameter: 310,  
 Outside diameter: 370, Width: 28

Dimensions			Part Number
Shaft diameter d	Outside diameter D	Width b	Nitrile (NBR) A941
310	370	28	AD 5676 A0
320	360	20	AD 5711 A4
320	380	28	AD 5720 A0
325	365	25	AD 5734 E2
330	370	25	AD 5747 E1
330	390	28	AD 5754 A0
340	400	28	AD 5785 A0
350	410	28	AD 5823 A0
360	400	25	AD 5843 E1
360	420	28	AD 5847 A0
370	415	20	AD 5866 E0
370	430	28	AD 5869 A0
380	440	28	AD 5889 A0
390	440	25	AD 5908 A0
390	450	28	AD 5910 A0
400	460	28	AD 5931 A0
410	470	28	AD 5956 A0
420	480	28	AD 5979 A0
425	475	22	AD 5984 E0 ※
430	470	20	AD 5993 A0
430	480	25	AD 5994 A0
440	500	25	AD 6026 E0
450	500	25	AD 6055 A0
450	510	28	AD 6058 A0
465	510	20	AD 6085 E0
480	540	28	AD 6112 E0
490	550	28	AD 6126 E0
500	560	28	AD 6145 A0
540	600	25	AD 6195 A0
550	610	28	AD 6208 A4
560	620	30	AD 6227 E0
580	640	30	AD 6246 E2
600	650	25	AD 6263 E1
640	690	25	AD 6303 E1
660	740	45	AD 6322 E1
710	770	30	AD 9651 E1
810	870	25	AD 6465 E1
820	900	35	AD 6471 E1