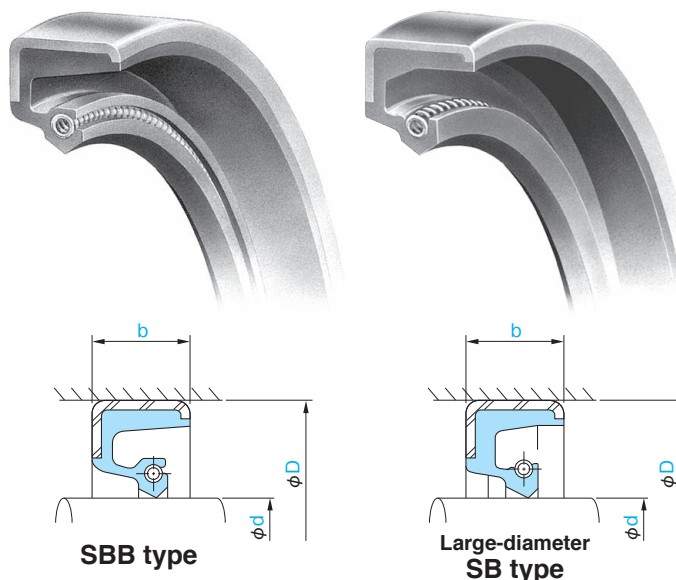


# SBB Type

# Large-diameter SB Type



- The sectional view on the right shows the typical profile of the seal type.
- Check the guide to allowable operating conditions on pages 14 and 15 for relevant information on the seal selected before use.
- If there is an “※” at the end of the part number, as this indicates that an SUS spring specification is available, we ask that you refer to the introduction on SUS spring specifications on page 154.

■ When ordering, please indicate the NOK part number and the relevant dimensions.  
**Order Example** NOK Part Number: AB 5660 A0  
 Type: Large-diameter SB, Shaft diameter: 305, Outside diameter: 355, Width: 23

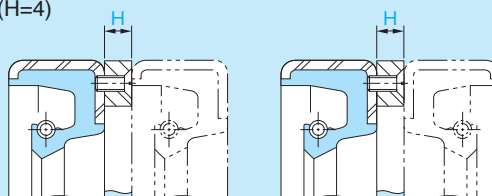
Dimensions			Part Number	
Shaft diameter $d$	Outside diameter $D$	Width $b$	Nitrile (NBR) A941	
			SBB type	Large-diameter SB type
305	355	23	—	AB 5660 A0
310	370	25	AB 5675 A0	—
311.15	349.25	17.5	AB 5681 E0	—
315	355.60	16	—	AB 5688 E0
317.50	355.60	23	AB 5702 E0	—
320	358	20	—	AB 5709 E0
320	360	25	AB 5712 A0 ※	—
320	380	25	—	AB 5718 A0
320.68	371.48	25.4	AB 5726 A0	—
325	375	25	—	AB 5737 A0
330	370	20	AB 5746 A0	—
330	390	25	—	AB 5753 A0 ※
340	380	20	—	AB 9104 E0
340	400	25	—	AB 5784 A0
342.90	381.00	17.5	AB 5795 E0	—
350	390	20	AB 5814 E0	—
350	400	25	AB 5817 E0	—
350	410	25	—	AB 5822 E4
360	400	17	AB 5841 A0	—
360	420	25	—	AB 5846 A0
361.95	412.75	22.2	AB 5850 E0	—
365	405	18	—	AB 5855 E0
370	415	20	AB 5866 A0	—
370	430	25	AB 5868 E0	—
375	420	18	—	AB 5876 A5
380	440	25	AB 5888 A0	—
390	430	18	AB 9434 E0	—
390	450	25	—	AB 5909 A0
395	430	18	—	AB 5917 A5

SBB, Large-diameter SB type

[Special order] When ordering an oil seal with an attached spacer, please indicate the spacer width (H) after the NOK part number.  
**Order Example:** AB 5660 A0 Spacer attached (H=4)

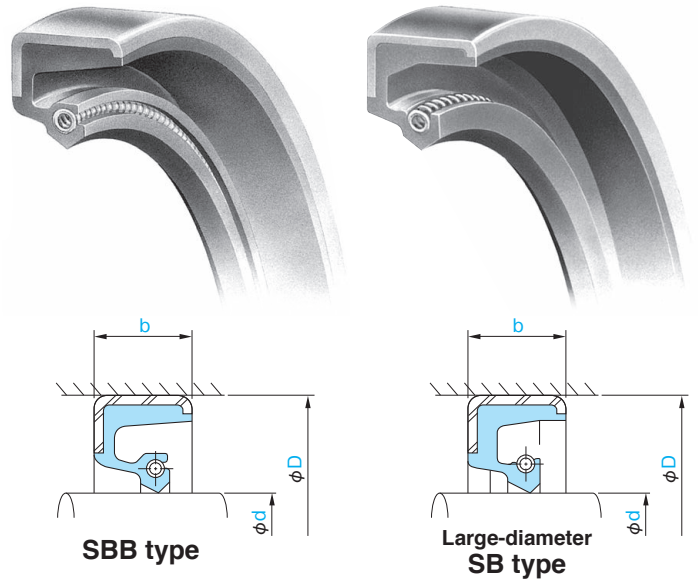
Quantity of spacers

Nominal outside diameter of oil seal	Number of spacers (equally paced)
500 or less	4
Over 500 to 800 or less	6
Over 800	8



# SBB Type

# Large-diameter SB Type



- The sectional view on the right shows the typical profile of the seal type.
- Check the guide to allowable operating conditions on pages 14 and 15 for relevant information on the seal selected before use.
- If there is an “※” at the end of the part number, as this indicates that an SUS spring specification is available, we ask that you refer to the introduction on SUS spring specifications on page 154.

■ When ordering, please indicate the NOK part number and the relevant dimensions.  
**Order Example** NOK Part Number: AB 9388 E0  
 Type: Large-diameter SB, Shaft diameter: 400, Outside diameter: 450, Width: 15.6

Dimensions			Part Number	
Shaft diameter d	Outside diameter D	Width b	Nitrile (NBR) A941	
			SBB type	Large-diameter SB type
400	450	15.6	—	AB 9388 E0
400	460	25	—	AB 5930 A0
400.05	438.15	17.5	AB 5935 E1	—
406.40	457.20	23	AB 5947 E1	—
410	450	20	AB 5952 A0	—
410	470	25	AB 5955 E2	—
415	475	23	—	AB 9406 E1
419.10	457.20	19	AB 5965 E0	—
420	470	20	—	AB 5971 E0
420	480	25	AB 5978 A0	—
430	470	20	AB 5993 A0 ※	—
430	480	25	—	AB 5994 A9 ※
438.15	476.25	19	AB 6014 E0	—
440	480	20	—	AB 6022 E0
440	490	25	—	AB 6025 A0
440	500	25	AB 6026 A0	—
450	480	17.5	—	AB 6046 E0 ※
450	510	25	AB 6057 A0 ※	—
454.02	504.82	19	—	AB 6062 E0
460	520	25	AB 6079 A0	—
469.90	520.70	23	—	AB 6092 E0
470	520	22	—	AB 9444 E0
470	530	25	AB 6096 A0	—
480	530	22	—	AB 6107 E1
480	540	25	—	AB 6111 A0
482.60	520.70	19	AB 6115 E1	—
490	550	25	—	AB 6125 E3
500	540	20	AB 6141 E0	—
500	560	25	AB 6144 A0	—
510	560	25	AB 6159 A0	—

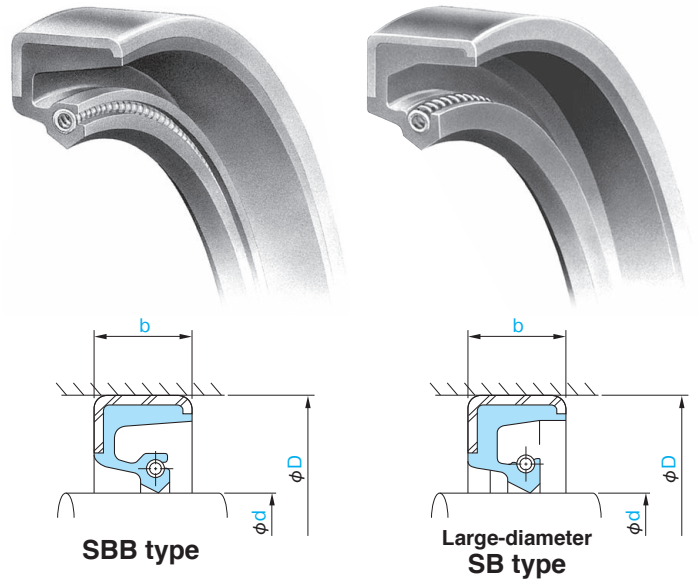
**[Special order]** When ordering an oil seal with an attached spacer, please indicate the spacer width (H) after the NOK part number.  
**Order Example:** AB 5660 A0 Spacer attached (H=4)

Quantity of spacers

Nominal outside diameter of oil seal	Number of spacers (equally paced)
500 or less	4
Over 500 to 800 or less	6
Over 800	8

# SBB Type

# Large-diameter SB Type



- The sectional view on the right shows the typical profile of the seal type.
- Check the guide to allowable operating conditions on pages 14 and 15 for relevant information on the seal selected before use.
- If there is an “※” at the end of the part number, as this indicates that an SUS spring specification is available, we ask that you refer to the introduction on SUS spring specifications on page 154.

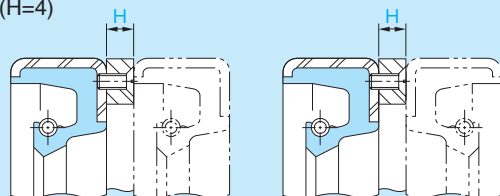
■ When ordering, please indicate the NOK part number and the relevant dimensions.  
**Order Example** NOK Part Number: AB 6166 A0  
 Type: SSB, Shaft diameter: 520, Outside diameter: 560, Width: 20

Dimensions			Part Number	
Shaft diameter d	Outside diameter D	Width b	Nitrile (NBR) A941	
			SBB type	Large-diameter SB type
520	560	20	AB 6166 A0	—
520	580	25	—	AB 6173 A0
520.70	571.50	22.2	AB 6175 E0	—
530	580	22	—	AB 6183 E0
540	590	25	—	AB 6193 A0
546.10	596.90	20.6	AB 6199 E5	—
550	610	25	—	AB 6207 A0
558.80	609.60	22.2	AB 6214 E0	—
560	610	22	AB 6223 A0	—
560	620	25	AB 6226 E0	—
570	620	22	AB 6235 A0	—
570	630	25	AB 6236 A0	—
580	640	25	—	AB 6245 A0
600	660	25	—	AB 6267 A0 ※
610	670	23	AB 6281 A0	—
620	670	25	—	AB 6284 A0
620	680	23	—	AB 9528 E0
622.30	673.10	22.2	—	AB 6288 E0
630	670	20	AB 6292 A0 ※	—
635	685	25	AB 6301 A0	—
640	690	25	—	AB 6303 A0
650	710	25	AB 6313 A0 ※	—
650	720	25	—	AB 6315 A0
660.40	711.20	22.2	AB 6323 E1	—
670	720	25	—	AB 6330 E5
673.10	711.20	19	AB 6335 E0 ※	—
685	745	25	—	AB 9001 E3
685.80	736.60	22.2	—	AB 6340 E0
690	730	20	—	AB 9036 E4
698.50	749.30	22.2	—	AB 6353 E0

[Special order] When ordering an oil seal with an attached spacer, please indicate the spacer width (H) after the NOK part number.  
**Order Example:** AB 5660 A0 Spacer attached (H=4)

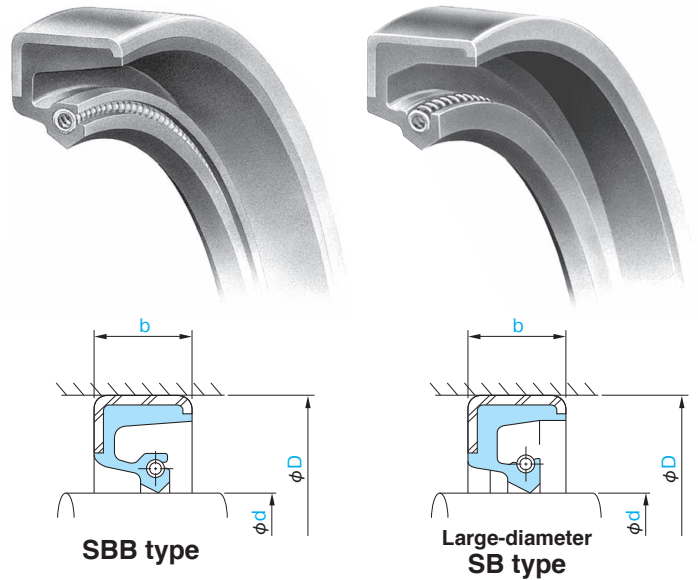
Quantity of spacers

Nominal outside diameter of oil seal	Number of spacers (equally paced)
500 or less	4
Over 500 to 800 or less	6
Over 800	8



# SBB Type

# Large-diameter SB Type



- The sectional view on the right shows the typical profile of the seal type.
- Check the guide to allowable operating conditions on pages 14 and 15 for relevant information on the seal selected before use.
- If there is an “※” at the end of the part number, as this indicates that an SUS spring specification is available, we ask that you refer to the introduction on SUS spring specifications on page 154.

■ When ordering, please indicate the NOK part number and the relevant dimensions.  
**Order Example** NOK Part Number: AB 6356 E7  
 Type: Large-diameter SB, Shaft diameter: 700, Outside diameter: 750, Width: 20

Dimensions			Part Number	
Shaft diameter d	Outside diameter D	Width b	Nitrile (NBR) A941	
			SBB type	Large-diameter SB type
700	750	20	—	AB 6356 E7
710	760	25	AB 6366 A0 ※	—
710	770	25	AB 6369 A0	—
711.20	762	22.2	AB 6375 E0	—
720	768	22	—	AB 6384 E0
723.90	774.70	22.2	AB 6388 E0	—
730	790	25	—	AB 6392 A0
735	795	25	—	AB 6394 A0
740	790	25	AB 6398 A0	—
749.30	825.50	22.2	AB 6406 E0	—
750	800	25	—	AB 6407 E5
760	813	22	—	AB 6419 A0
774.70	825.50	22.2	AB 6437 E0	—
780	830	25	—	AB 6446 A0 ※
800	870	25	—	AB 6459 A0 ※
806.45	857.25	22.2	AB 6463 E0	—
810	870	25	—	AB 6465 A0
838.20	889	22.2	—	AB 6483 E0
840	910	25	—	AB 6485 A0
850	900	25	AB 6488 A0	—
850.90	914.40	22.2	AB 6496 E0	—
870	920	25	AB 6507 A0	—
876.30	927.10	22.2	AB 6512 E0	—
882.65	933.45	22.2	—	AB 6515 E2
890	950	25	AB 6519 A0	—
900	950	25	AB 6527 A0	—
914.40	977.90	25.4	—	AB 6535 E0
940	1000	25	AB 6544 A0	—
950	1000	23	—	AB 6546 A9
952.50	1003.30	22.2	AB 6551 E2	—

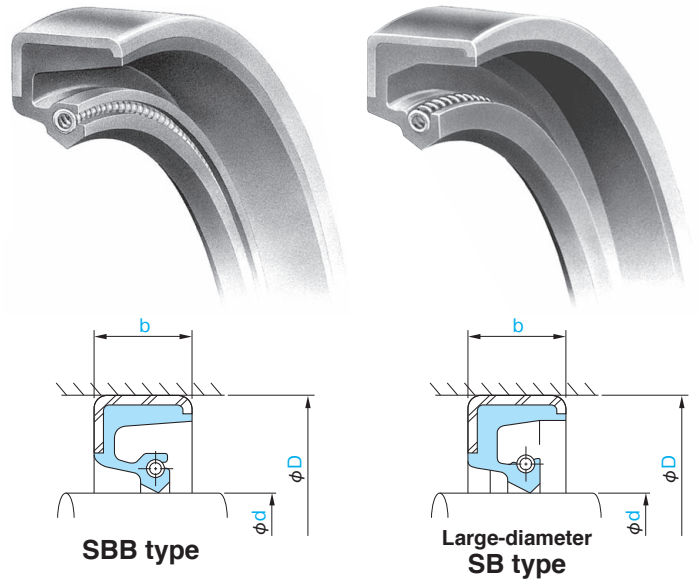
**[Special order]** When ordering an oil seal with an attached spacer, please indicate the spacer width (H) after the NOK part number.  
**Order Example:** AB 5660 A0 Spacer attached (H=4)

Quantity of spacers

Nominal outside diameter of oil seal	Number of spacers (equally paced)
500 or less	4
Over 500 to 800 or less	6
Over 800	8

# SBB Type

# Large-diameter SB Type



- The sectional view on the right shows the typical profile of the seal type.
- Check the guide to allowable operating conditions on pages 14 and 15 for relevant information on the seal selected before use.
- If there is an “※” at the end of the part number, as this indicates that an SUS spring specification is available, we ask that you refer to the introduction on SUS spring specifications on page 154.

■ When ordering, please indicate the NOK part number and the relevant dimensions.  
**Order Example** NOK Part Number: AB 6553 A0  
 Type: SSB, Shaft diameter: 960, Outside diameter: 1020, Width: 25

Dimensions			Part Number	
Shaft diameter $d$	Outside diameter $D$	Width $b$	Nitrile (NBR) A941	
			SBB type	Large-diameter SB type
960	1020	25	AB 6553 A0	—
971.55	1035.05	25	—	AB 6564 E0
1000	1050	23	AB 6576 A0	—
1000	1060	25	AB 6577 E1	—
1020	1070	25	AB 6589 A0	—
1030	1070	25	AB 9707 E3	—
1080	1130	20	AB 9763 E4	—
1092.20	1155.70	22.2	AB 6619 E0	—
1104.90	1155.70	22.2	AB 6624 E1	—
1123.95	1181.10	22.2	—	AB 6631 E0
1136	1186	25	—	AB 6633 E0
1210	1270	20	—	AB 6650 E0
1270	1320	25	—	AB 6662 E0
1330	1400	30	—	AB 9701 E3
1400	1460	25	—	AB 9792 E2
1498.60	1549.40	22.2	—	AB 6681 E0
1670	1720	22.5	—	AB 9795 E0
1820	1890	30	—	AB 9720 E0

[Special order] When ordering an oil seal with an attached spacer, please indicate the spacer width (H) after the NOK part number.  
**Order Example:** AB 5660 A0 Spacer attached (H=4)

Quantity of spacers

Nominal outside diameter of oil seal	Number of spacers (equally paced)
500 or less	4
Over 500 to 800 or less	6
Over 800	8

