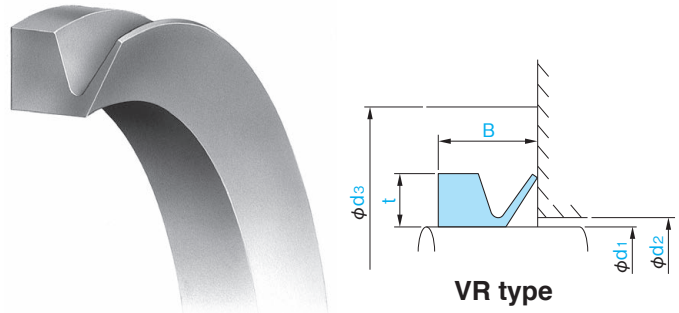


VR Type



- The sectional view on the right shows the typical profile of the seal type.
- Check the guide to allowable operating conditions on pages 12 and 13 for relevant information on the seal selected before use.

Note: This oil seal may be used with shaft diameters in the ranges shown. However, we recommend using it at the recommended nominal shaft diameter (d_1).

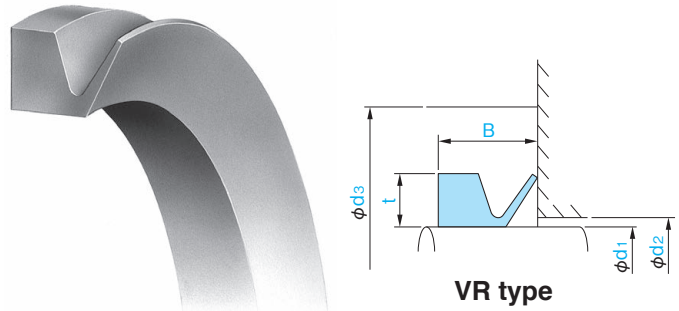
■ When ordering, please indicate the NOK part number and the relevant dimensions.
Order Example NOK Part Number: BM 1201 A0
 Nominal number : VR 3A

14

Nominal number	Recommended shaft diameter d_1	Usable shaft diameter (See Note) (More than or less than)	Area required for seal				Part Number	
			Width B	Maximum diameter d_2	Required minimum face diameter d_3	Thickness t	Nitrile (NBR) A134	Fluorocarbon(FKM) F129
VR 3A	3	2.7~3.5	2.5	d_1+1	d_1+4	1.5	BM 1201 A0	BM 1201 A3
VR 4A	4	3.5~4.5					BM 1202 A0	BM 1202 A3
VR 5A	5	4.5~5.5					BM 1203 A0	BM 1203 A3
VR 6A	6	5.5~6.5	3	d_1+1	d_1+6	2	BM 1204 A0	BM 1204 A3
VR 7A	7	6.5~7.5					BM 1205 A0	BM 1205 A3
VR 8A	8	7.5~8.5					BM 1206 A0	BM 1206 A3
VR 10A	10	9.5~11.5					BM 1207 A0	BM 1207 A3
VR 12A	12	11.5~12.5					BM 1208 A0	BM 1208 A3
VR 13A	13	12.5~13.5					BM 1209 A0	BM 1209 A3
VR 14A	14	13.5~15.5	4.5	d_1+2	d_1+9	3	BM 1210 A0	BM 1210 A3
VR 16A	16	15.5~17.5					BM 1211 A0	BM 1211 A3
VR 18A	18	17.5~19					BM 1212 A0	BM 1212 A3
VR 20A	20	19~21					BM 1213 A0	BM 1213 A3
VR 22A	22	21~24					BM 1214 A0	BM 1214 A3
VR 25A	25	24~27					BM 1215 A0	BM 1215 A3
VR 28A	28	27~29					BM 1216 A0	BM 1216 A3
VR 30A	30	29~31	6	d_1+3	d_1+12	4	BM 1217 A0	BM 1217 A3
VR 32A	32	31~33					BM 1218 A0	BM 1218 A3
VR 35A	35	33~36					BM 1219 A0	BM 1219 A3
VR 38A	37	36~38					BM 1220 A0	BM 1220 A3
VR 40A	40	38~43					BM 1221 A0	BM 1221 A3
VR 45A	45	43~48					BM 1222 A0	BM 1222 A3
VR 50A	50	48~53					BM 1223 A0	BM 1223 A3
VR 55A	55	53~58	7	d_1+3	d_1+15	5	BM 1224 A0	BM 1224 A3
VR 60A	60	58~63					BM 1225 A0	BM 1225 A3
VR 65A	65	63~68					BM 1226 A0	BM 1226 A3
VR 70A	70	68~73					BM 1227 A0	BM 1227 A3
VR 75A	75	73~78					BM 1228 A0	BM 1228 A3
VR 80A	80	78~83					BM 1229 A0	BM 1229 A3
VR 85A	85	83~88	9	d_1+4	d_1+18	6	BM 1230 A0	BM 1230 A3
VR 90A	90	88~93					BM 1231 A0	BM 1231 A3
VR 95A	95	93~98					BM 1232 A0	BM 1232 A3
VR 100A	100	98~105					BM 1233 A0	BM 1233 A3
VR 110A	110	105~115					BM 1234 A0	BM 1234 A3
VR 120A	120	115~125					BM 1235 A0	BM 1235 A3
VR 130A	130	125~135	10.5	d_1+4	d_1+21	7	BM 1236 A0	BM 1236 A3
VR 140A	140	135~145					BM 1237 A0	BM 1237 A3
VR 150A	150	145~155					BM 1238 A0	BM 1238 A3
VR 160A	160	155~165					BM 1239 A0	BM 1239 A3
VR 170A	170	165~175					BM 1240 A0	BM 1240 A3
VR 180A	180	175~185	12	d_1+5	d_1+24	8	BM 1241 A0	BM 1241 A3
VR 190A	190	185~195					BM 1242 A0	BM 1242 A3
VR 199A	199	195~210					BM 1243 A0	BM 1243 A3

VR type

VR Type



- The sectional view on the right shows the typical profile of the seal type.
- Check the guide to allowable operating conditions on pages 12 and 13 for relevant information on the seal selected before use.

Note: This oil seal may be used with shaft diameters in the ranges shown. However, we recommend using it at the recommended nominal shaft diameter (d_1).

■ When ordering, please indicate the NOK part number and the relevant dimensions.
Order Example NOK Part Number: BM 1244 A0
 Nominal number : VR 200A

Nominal number	Recommended shaft diameter d_1	Usable shaft diameter (See Note) (More than or less than)	Area required for seal				Part Number	
			Width B	Maximum diameter d_2	Required minimum face diameter d_3	Thickness t	Nitrile (NBR) A134	Fluorocarbon(FKM) F129
VR 200A	200	190~210	20	d_1+10	d_1+45	15	BM 1244 A0	BM 1244 A3
VR 220A	220	210~235					BM 1245 A0	BM 1245 A3
VR 250A	250	235~265					BM 1246 A0	BM 1246 A3
VR 275A	275	265~290					BM 1247 A0	BM 1247 A3
VR 300A	300	290~310					BM 1248 A0	BM 1248 A3
VR 325A	325	310~335					BM 1249 A0	BM 1249 A3
VR 350A	350	335~365					BM 1250 A0	BM 1250 A3
VR 375A	375	365~390					BM 1251 A0	BM 1251 A3
VR 400A	400	390~430					BM 1252 A0	BM 1252 A3
VR 450A	450	430~480					BM 1253 A0	BM 1253 A3
VR 500A	500	480~530					BM 1254 A0	BM 1254 A3
VR 550A	550	530~580					BM 1255 A0	BM 1255 A3
VR 600A	600	580~630					BM 1256 A0	BM 1256 A3
VR 650A	650	630~665					BM 1257 A0	BM 1257 A3
VR 700A	700	665~705					BM 1258 A0	BM 1258 A3
VR 725A	725	705~745					BM 1259 A0	BM 1259 A3
VR 750A	750	745~785					BM 1260 A0	BM 1260 A3
VR 800A	800	785~830					BM 1261 A0	BM 1261 A3
VR 850A	850	830~875					BM 1262 A0	—
VR 900A	900	875~920					BM 1263 A0	BM 1263 A3
VR 950A	950	920~965	BM 1264 A0	BM 1264 A3				
VR1000A	1000	965~1015	BM 1265 A0	BM 1265 A3				
VR1050A	1050	1015~1065	BM 1266 A0	BM 1266 A3				
VR1100A	1100	1065~1115	BM 1267 A0	BM 1267 A3				
VR1150A	1150	1115~1165	BM 1268 A0	—				
VR1200A	1200	1165~1215	BM 1269 A0	BM 1269 A3				
VR1250A	1250	1215~1270	BM 1270 A0	—				
VR1300A	1300	1270~1320	BM 1271 A0	BM 1271 A3				
VR1350A	1350	1320~1370	BM 1272 A0	—				
VR1400A	1400	1370~1420	BM 1273 A0	BM 1273 A3				
VR1450A	1450	1420~1470	BM 1274 A0	BM 1274 A3				
VR1500A	1500	1470~1520	BM 1275 A0	—				
VR1550A	1550	1520~1570	BM 1276 A0	—				
VR1600A	1600	1570~1620	BM 1277 A0	—				
VR1650A	1650	1620~1670	BM 1278 A0	—				
VR1700A	1700	1670~1720	BM 1279 A0	—				
VR1750A	1750	1720~1770	BM 1280 A0	—				
VR1800A	1800	1770~1820	BM 1281 A0	—				
VR1850A	1850	1820~1870	BM 1282 A0	—				
VR1900A	1900	1870~1920	BM 1283 A0	—				
VR2000A	2000	1970~2020	BM 1285 A0	BM 1285 A3				